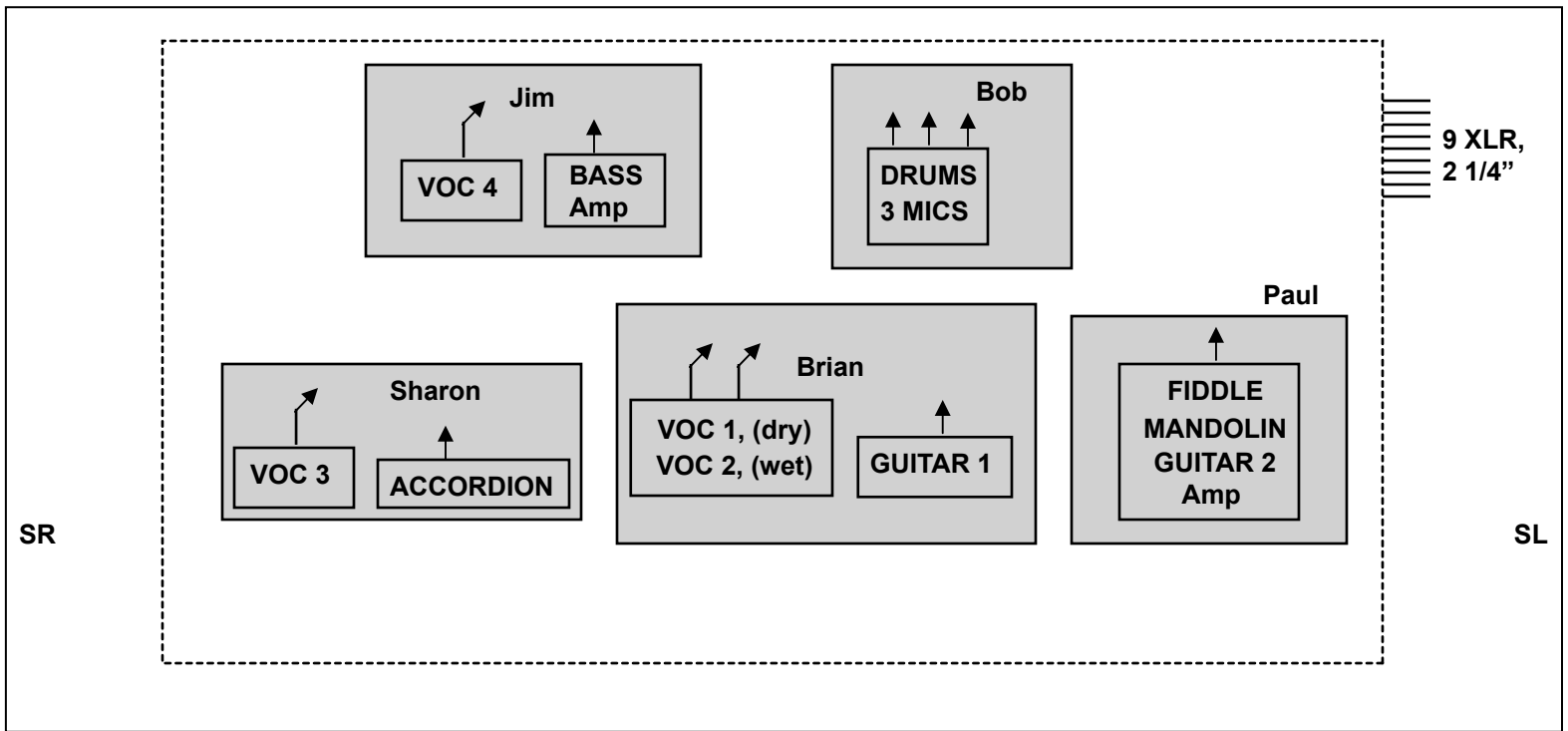


**Stage plot and Channel Assignments**  
**Highland Way, driving to event, 5 band members**



---

Notes

- All our outputs are XLR except Jim's Bass amp and Paul's Instruments amp which can either be 1/4" or mic'ed
  - 110 V AC required on Stage
  - Optimum setup is 4 available monitor mixes
-